

Classic Recessed LED Channel

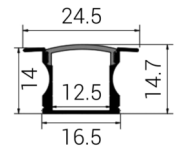
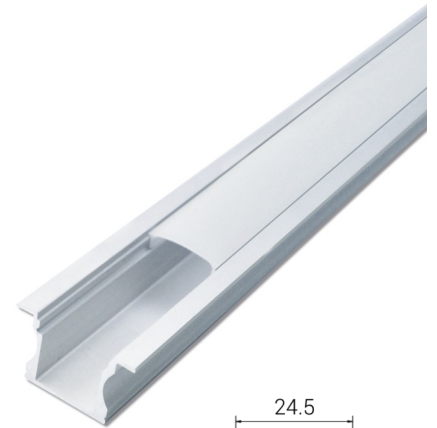
Specification Sheet

KEY HIGHLIGHTS

A precision-engineered recessed profile designed for seamless integration within high-end millwork. This discrete housing allows the architecture to speak while providing a flawless, flush-mounted light source.

SPECIFICATIONS & FEATURES

- Material: 6063-T5 Aircraft Grade Anodized Aluminum.
- Finish Options:
 - Satin Silver (Anodized)
 - Matte Black (Powder Coated)
 - Architectural White (Powder Coated)
- Length Options: 0.3m (1ft) ~ 3.0m (9.84ft) factory customizable.
- Interior Width: 12.5mm (Compatible with LED tape up to 12mm wide).
- Lens Material: UV-Resistant Polycarbonate (PC).
- Lens Style: Snap-in / Slide-in Flush Mount.
- Diffusion Options:
 - Milky/Frosted: Creates dot-free "neon" effect with high-density LED tape.
 - Clear: Higher output with visible diode points.
 - Black: Architectural "hidden" look when off.
- Heat Dissipation: Efficiently extends LED lifespan by reducing operating temperature up to 15°C.
- Protection Rating: IP20 for standard indoor use.
- Mounting: Stainless steel hidden clips for recessed mount.
- End Caps: Thermoplastic caps with and without wire-entry holes.
- Compatibility: Optimized for luzumi led Tape Light (Single Color, RGBW, and COB).
- Low glare and minimal color shift.

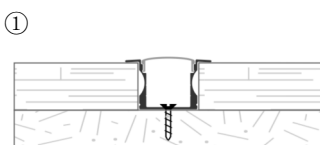


WARRANTY

- 5-Year
 Note: The Warranty Period begins on the date of original shipment from our factory, the warranty covers product only and does not cover any labor or incidental charges related to service or warranty. This Warranty applies only to the original purchasers or authorized distributors.

EASY MOUNTING & ACCESSORIES

Recessed-mount



HOW TO ORDER

Name	Channel Finish	Diffuser Option	Length (m/ft)	Mount Option
LCR1714	SS (Satin Silver)	F (Frosted)	1M	RM (Recessed Mount)
	MB (Matte Black)	C (Clear)	1FT	
	WH (White)	M (Milky)		
		B (Black)		

Example: LCR1714SSF1MRM

COMPATIBLE LED TAPE & STRIP LIGHTS

Consult factory for led tape & strip lights not listed here

- ChromveoTM
- AmbiveoTM RGB
- AmbiveoTM RGB Pixel & Addressable
- ScenveoTM RGBW
- ScenveoTM RGBW Pixel & Addressable
- RxveoTM Warm Dim
- RxveoTM Tunable White
- ChromveoTM Single LED Cuttable
- PhiveoTM Sunlike
- NyxveoTM COB Tunable White
- UxveoTM COB RGBW Pixel & Addressable

