

High-Power LED Flexible Wall Washer Strip Specification Sheet

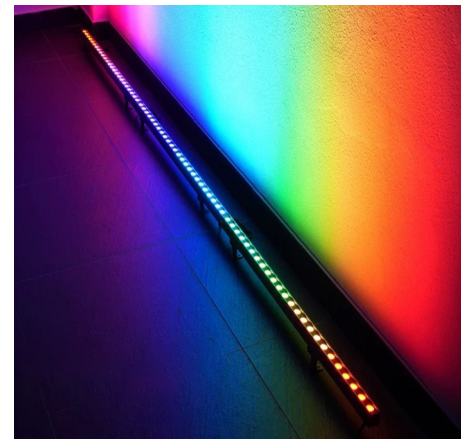
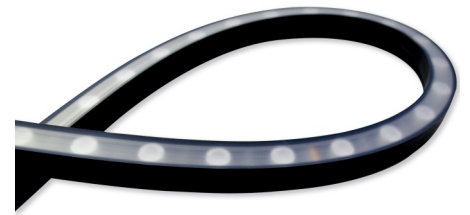


KEY HIGHLIGHTS

The LED Flexible Wall Washer Strip redefines architectural lighting by combining high-performance LEDs and optic lenses with a precise beam angle, creating a precise, narrow beam ideal for wall grazing, facade contouring and accent applications. Featuring a 360° bendable design, the strip can be easily installed on curved or irregular surfaces, offering much more applications than traditional rigid wall washer fixtures.

SPECIFICATIONS

- 24VDC.
- White (3000K, 4000K, 6000K).
- Tunable White (3000K-6000K, other CCT range can be customized).
- RGB.
- RGBW (W=3000K, 4000K, 6000K).
- Wattage: 24W/m.
- Maximum run on a given lead is 5 meters (16'-4").
- Cutable every 6LEDs(250mm).
- Beam angle: 25°/35°/20°*55° asymmetric.
- IP65.
- Custom lengths available - factory customization.
- With waterproof male/female connector for easy connection.
- Dimmable.
- 90+ CRI.
- Up to 2100+ lumens per meter.



FEATURES

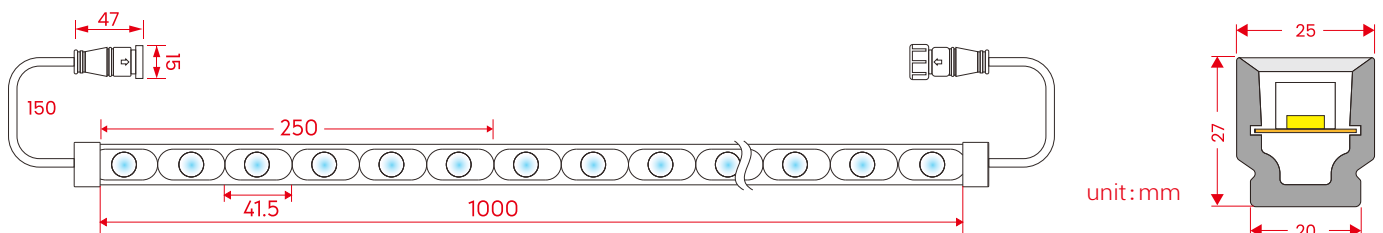
- ETL, CE, RoHS, CCC certified.
- CA Title 24: Compliant with approved drivers; consult factory for details.
- Operating Temperature: -20°C to 50°C (-4°F to 122°F)
- Storage Space Ready: Complies with NEC (NFPA 70) 410.16 requirements for closet installations.

HOW TO ORDER

Example: FR24W3030W30K24BL15A24

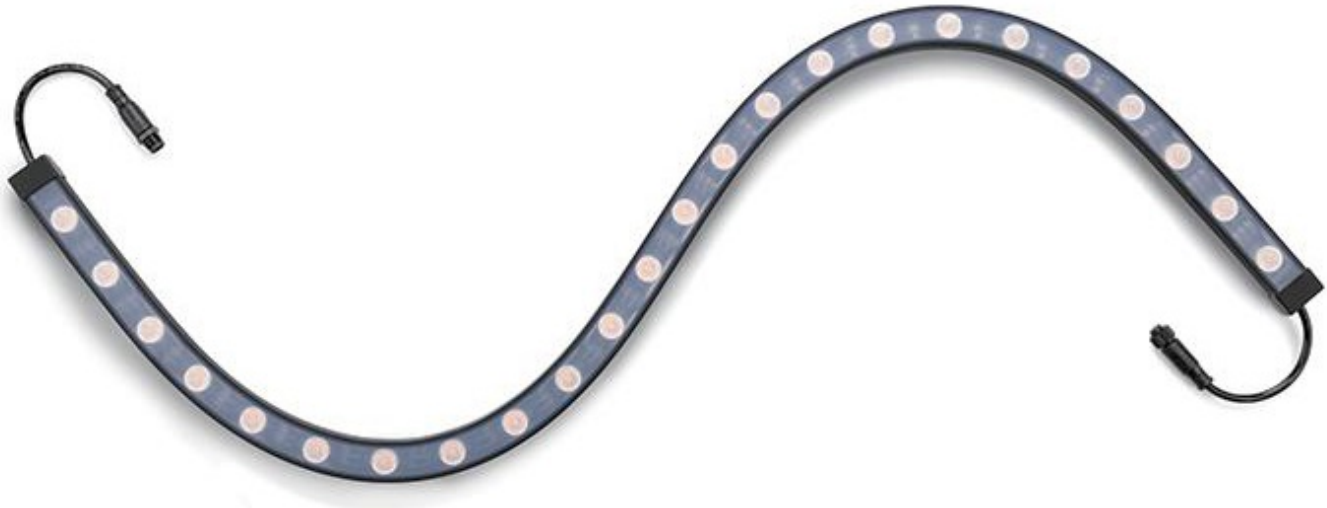
Name	Wattage/m	LED Type	Color	LEDs/m	Housing color	FPC Width(mm)	IP Rate	Voltage
FR	24W	3030	W30K N40K C60K	24	BL	15	A (IP65)	24
		3535	TW					
			RGB					
			RGBW					

MECHANICAL DIAGRAMS





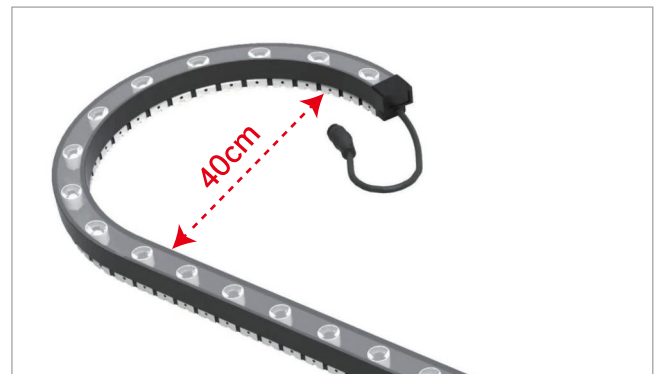
Product Features



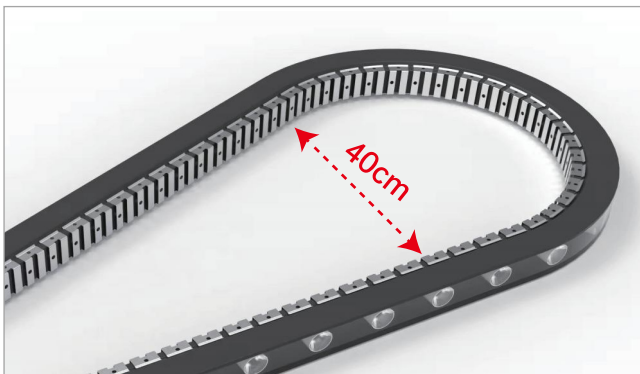
360° Bendable
Food-grade silicone, Superior flexibility, 360° bendable



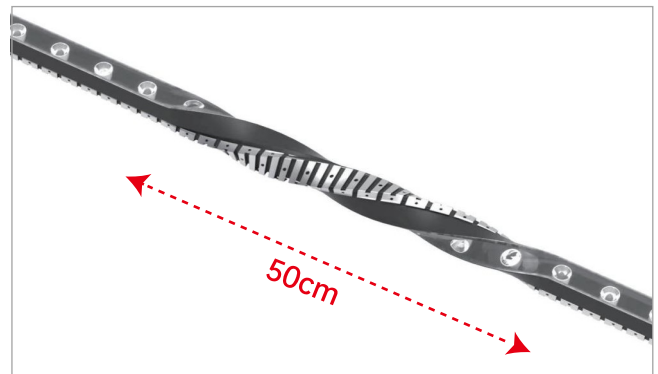
Inner Bend
The inner diameter of the bend must not be less than 40cm.



Front Bend
The inner diameter of the bend must not be less than 40cm.

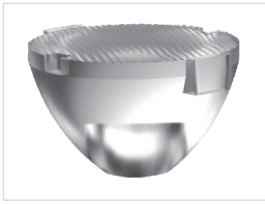


Outer Bend
The inner diameter of the bend must not be less than 40cm.



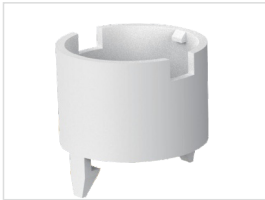
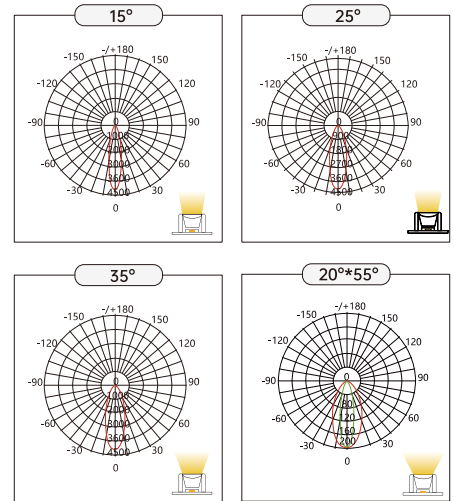
Distortion
The distortion length must not be less than 50cm.

High-Power LED Flexible Wall Washer Strip Specification Sheet



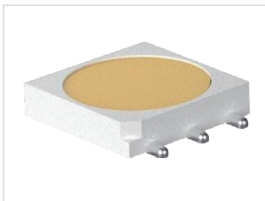
Optical Lenses

Optical lens design that effectively prevents glare while providing multiple beam angles, ensuring optimal illumination for any setting.



High-Performance Brackets

Constructed from special optical materials, the brackets enhance light-gathering performance, maximizing the efficiency of the LED strip in various applications.



High-brightness and High-color-rendering LED Chips

Equipped with customized high-brightness 3030 and 3535 LED chips, these LED chip delivers exceptional brightness and superior color rendering, perfect for commercial and residential lighting projects.



Thickened PCB Board

Featuring an enlarged and thickened PCB board, ensures excellent heat dissipation and can be cut into independent sections for flexible installation.

Single color



DMX512



Waterproof connector

waterproof connector, allowing for effortless interlinking and installation, making your setup process quicker and more efficient.



High protection, safer

- IP65 waterproof
- IK07
- Resistant to salt solution
- Resistant to acid and alkali corrosion
- Flame retardant rating UL94 V-0
- UV resistant

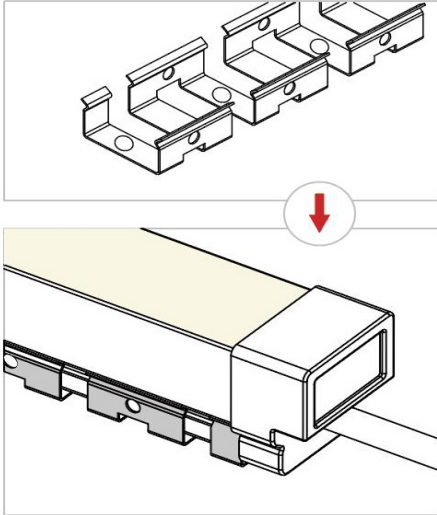


High-Power LED Flexible Wall Washer Strip Specification Sheet

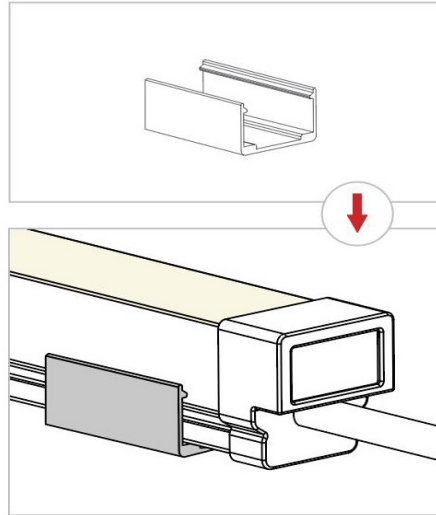


Installation Method

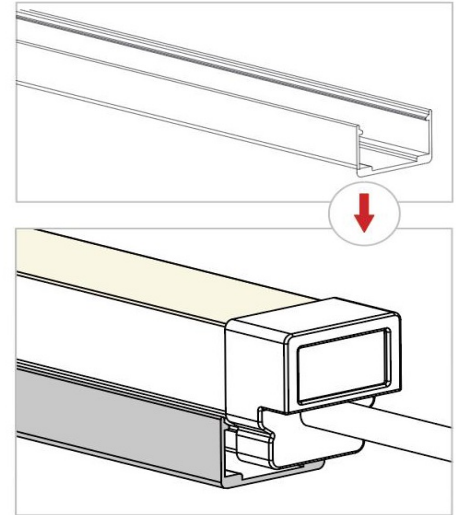
Mounting chain



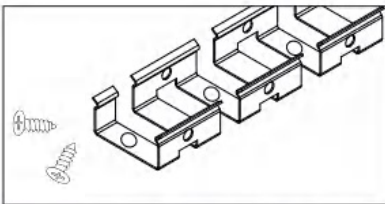
Mounting clip



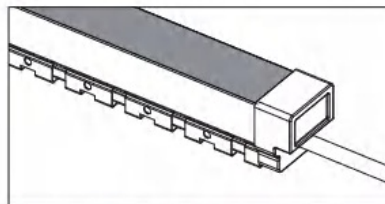
Aluminum profile/Aluminum plate



Mounting chain Installation

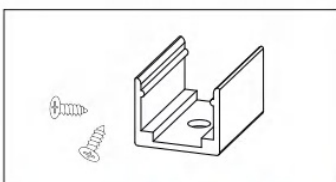


Cut the mounting chain into a certain length/size, fix it with screws

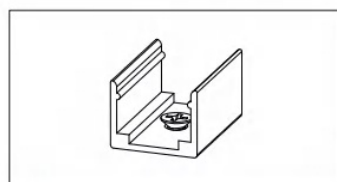


Put the led light into the mounting chain, press and tighten it firmly

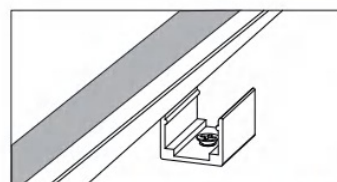
Mounting clip Installation



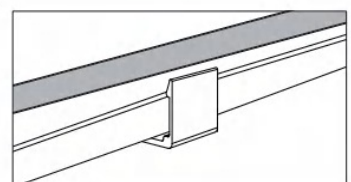
Prepare screws and mounting clips



Put the mounting clip in the correct position, screw it in

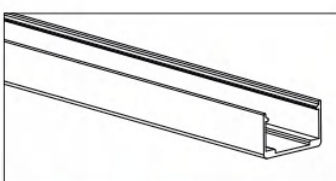


Put the led light into the mounting clip, press and tighten it firmly

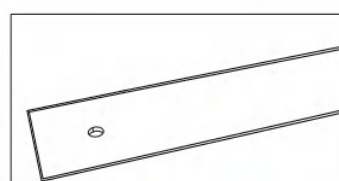


Installation completed

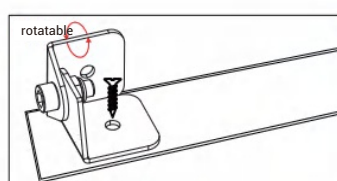
Aluminum profile/Aluminum plate(rotating head) Installation



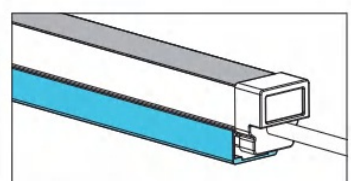
Cut/select appropriate size



Drilling holes



Align the rotating parts with the holes and tighten the screws



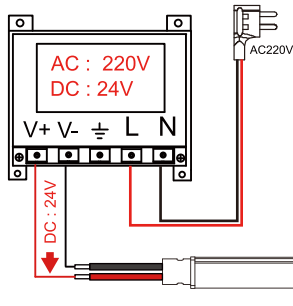
Put the led light into the Aluminum profile/Aluminum plate, press and tighten it firmly

High-Power LED Flexible Wall Washer Strip Specification Sheet



Mode Of Connection

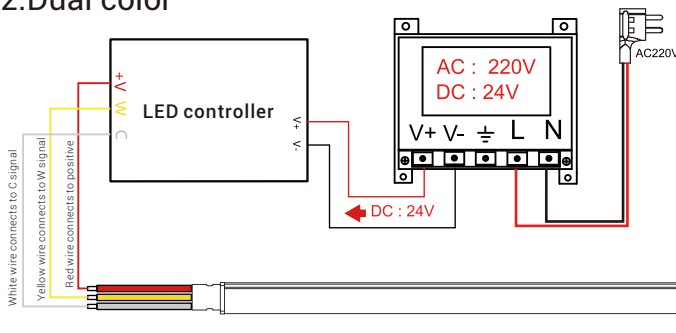
1. Single color



Please note that the light source is not meant to be directly connected to high-voltage electricity. To ensure safe usage and longevity of the product, it is imperative to use an appropriate power supply that converts 220V high-voltage alternating current into low-voltage direct current suitable for the LED Strip.

For maximum efficiency and reliable operation, we strongly recommend selecting a power supply that reserves a 30% margin—this ensures you utilize only 70% of the available power. By doing so, you guarantee sufficient voltage to effectively power the LED Strip, preventing potential burnout and enhancing the lifespan of your lighting solution.

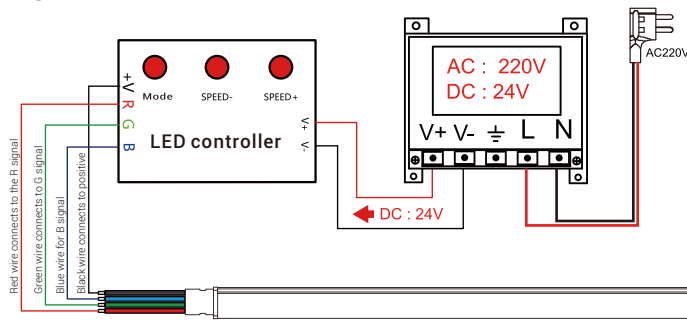
2. Dual color



Please note that the light source is not meant to be directly connected to high-voltage electricity. To ensure safe usage and longevity of the product, it is imperative to use an appropriate power supply that converts 220V high-voltage alternating current into low-voltage direct current suitable for the LED Strip.

For maximum efficiency and reliable operation, we strongly recommend selecting a power supply that reserves a 30% margin—this ensures you utilize only 70% of the available power. By doing so, you guarantee sufficient voltage to effectively power the LED Strip, preventing potential burnout and enhancing the lifespan of your lighting solution.

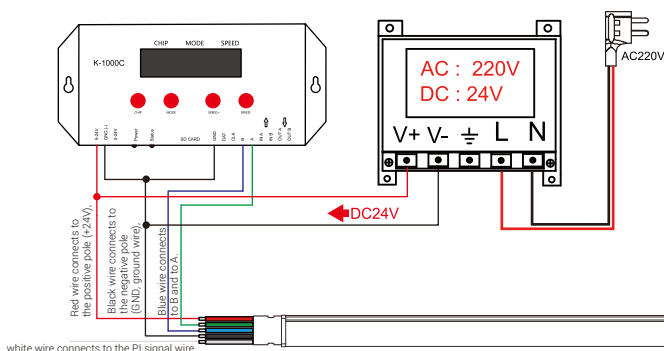
3. RGB



Please note that it is crucial not to connect the light source directly to high-voltage electricity, as this may damage the LED strip. Instead, ensure that you use a power supply to convert the 220V AC into low-voltage DC, which is essential for optimal performance.

For the best performance, we recommend operating the LED strip at a maximum of 70% of the power supply's capacity. It is advisable to maintain a 30% headroom in the power supply to ensure sufficient voltage and enhance the lifespan of the product.

4. DMX512



Please note that it is crucial not to connect the light source directly to high-voltage electricity, as this may damage the LED strip. Instead, ensure that you use a power supply to convert the 220V AC into low-voltage DC, which is essential for optimal performance.

For the best performance, we recommend operating the LED strip at a maximum of 70% of the power supply's capacity. It is advisable to maintain a 30% headroom in the power supply to ensure sufficient voltage and enhance the lifespan of the product.